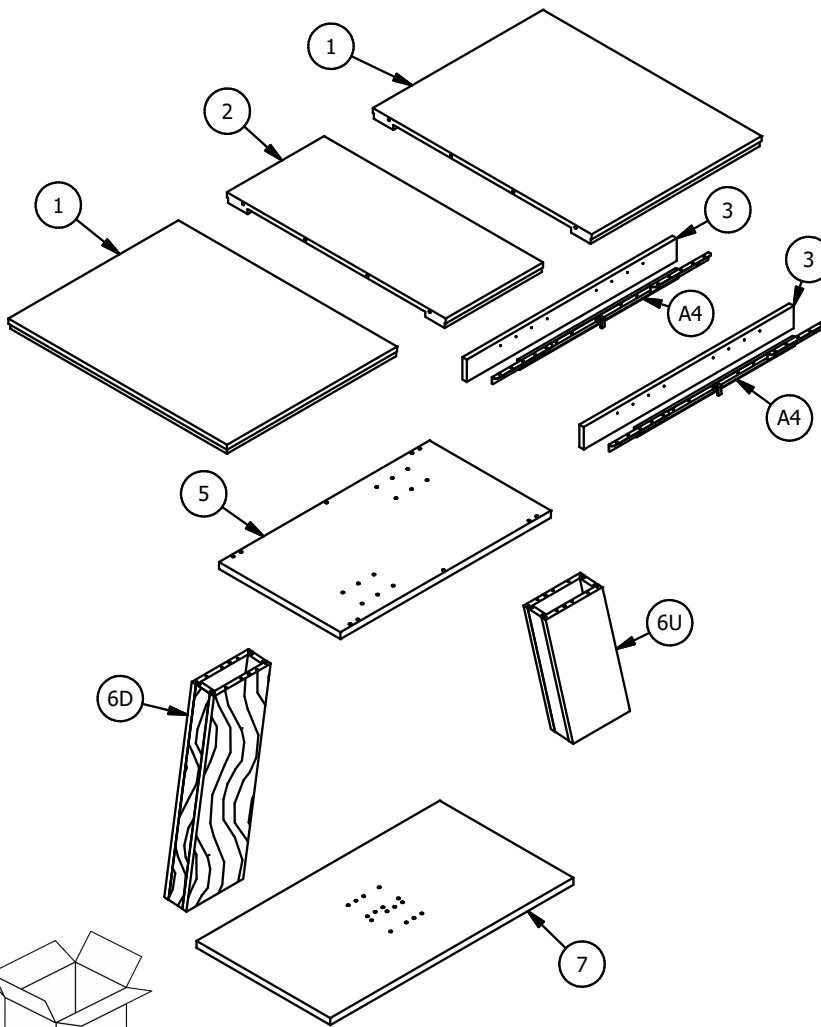
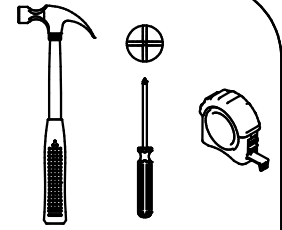
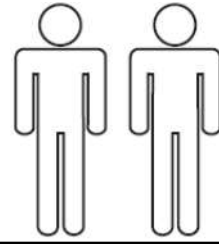
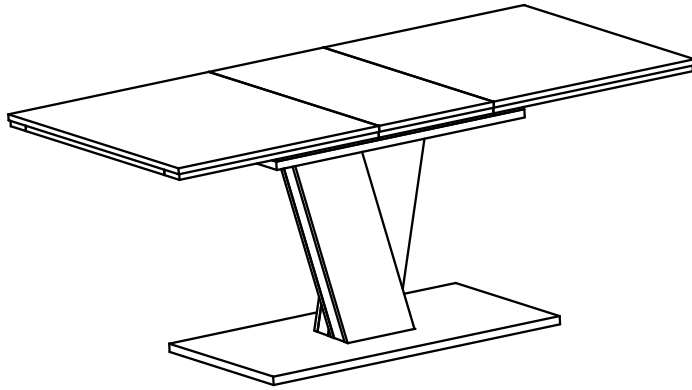
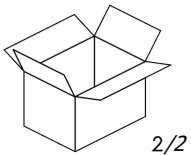

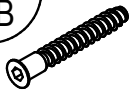

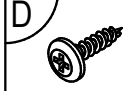

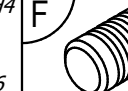







LUCY_T

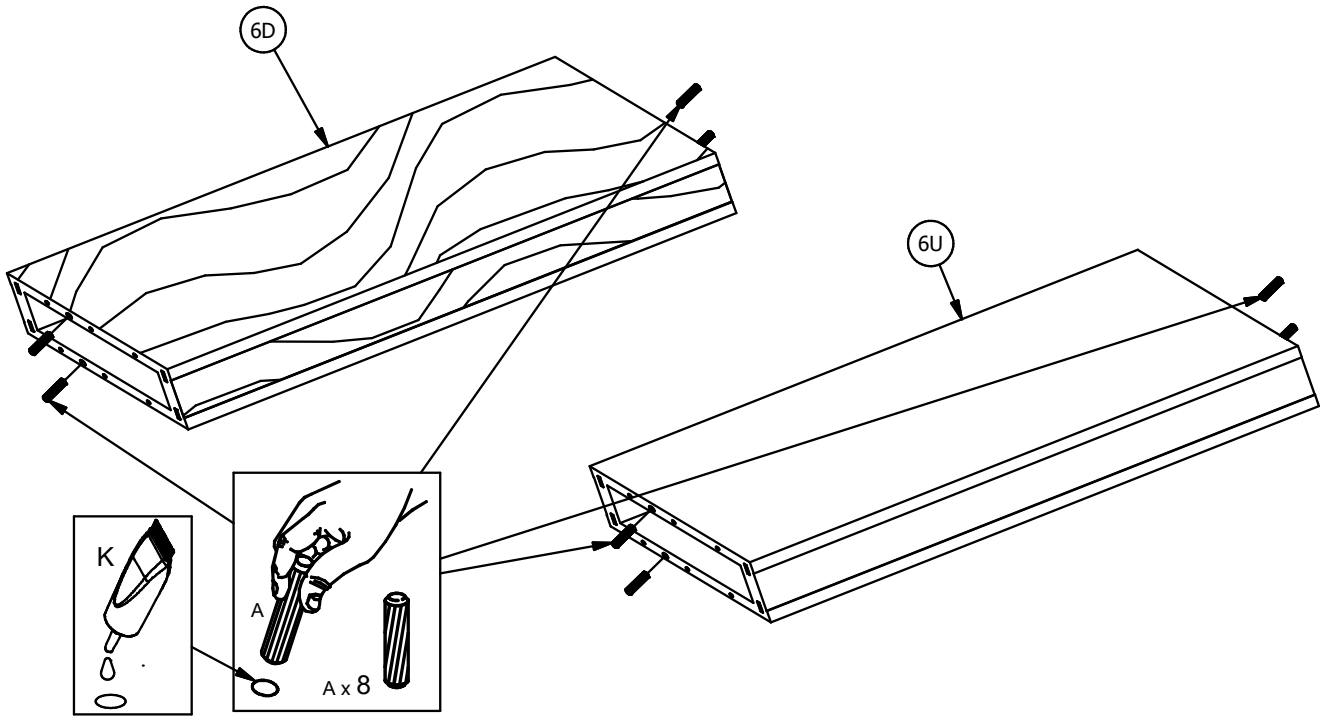
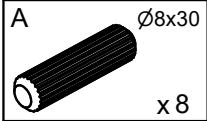


1	1	x2	700x900x36
1	2	x1	400x900x36
2	3	x2	865x80x18
2	5	x1	866x500x25
2	6D	x1	748x220x96
2	6U	x1	748x220x96
2	7	x1	1000x550x25
2	A4	x2	L-650

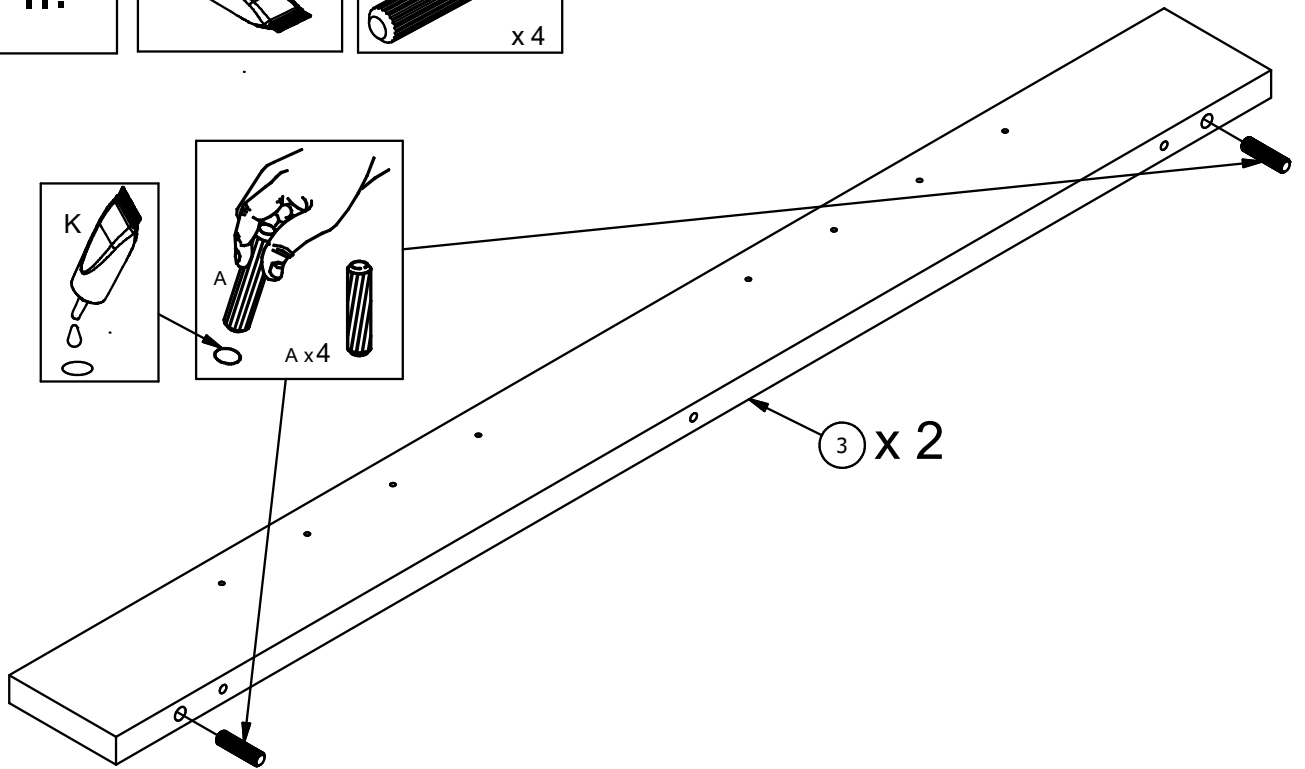
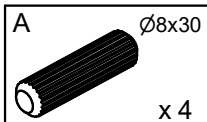
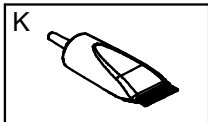


A	 $\varnothing 8 \times 30$ x12	B	 $\varnothing 7 \times 50$ x30	C	 $\varnothing 3,5 \times 16$ x24	D	 $\varnothing 3,5 \times 16$ x20	E	 $\varnothing 16 \times H4$ x6	F	 x8
G	 x8	H	 SW4 x1	I	 $\varnothing 16 \times 3$ x16	J	 x4	K	 x1		

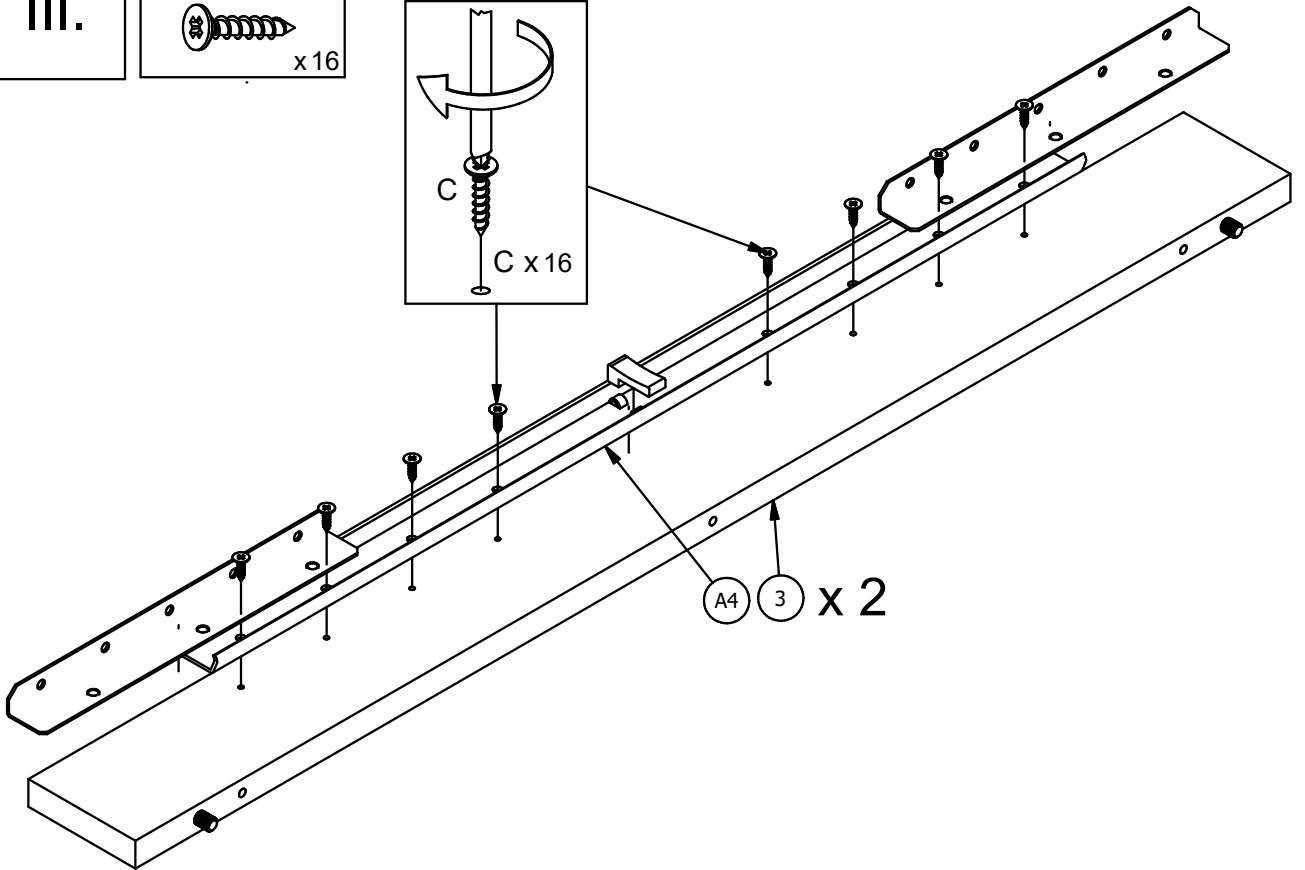
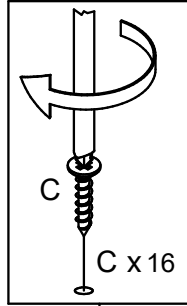
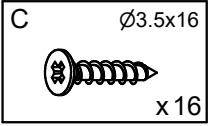
I.



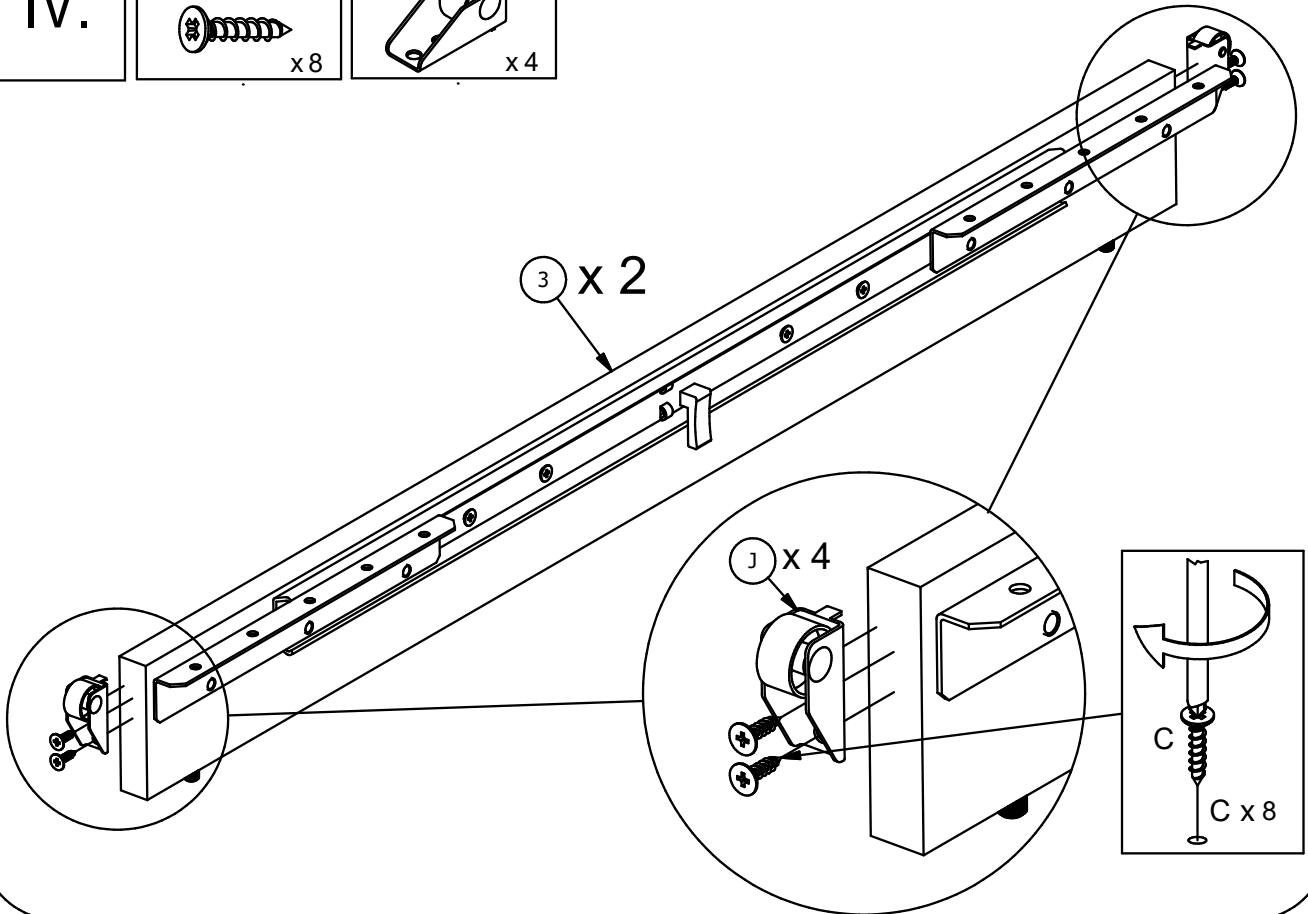
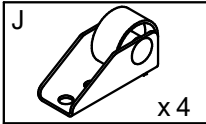
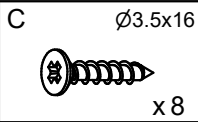
II.



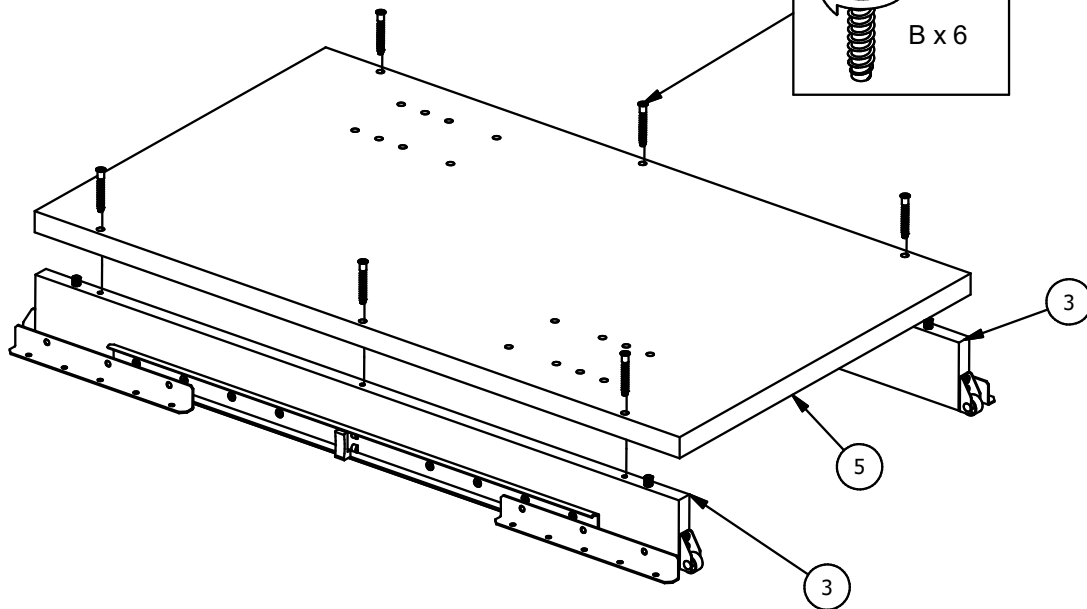
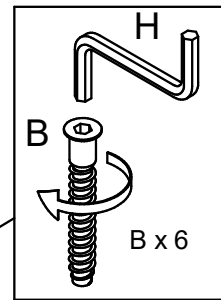
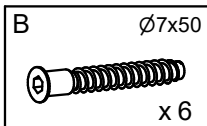
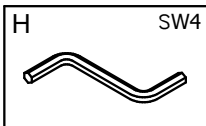
III.



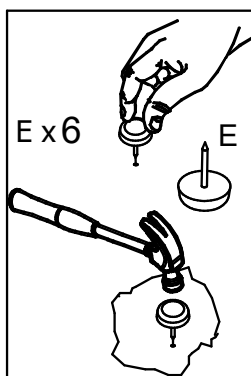
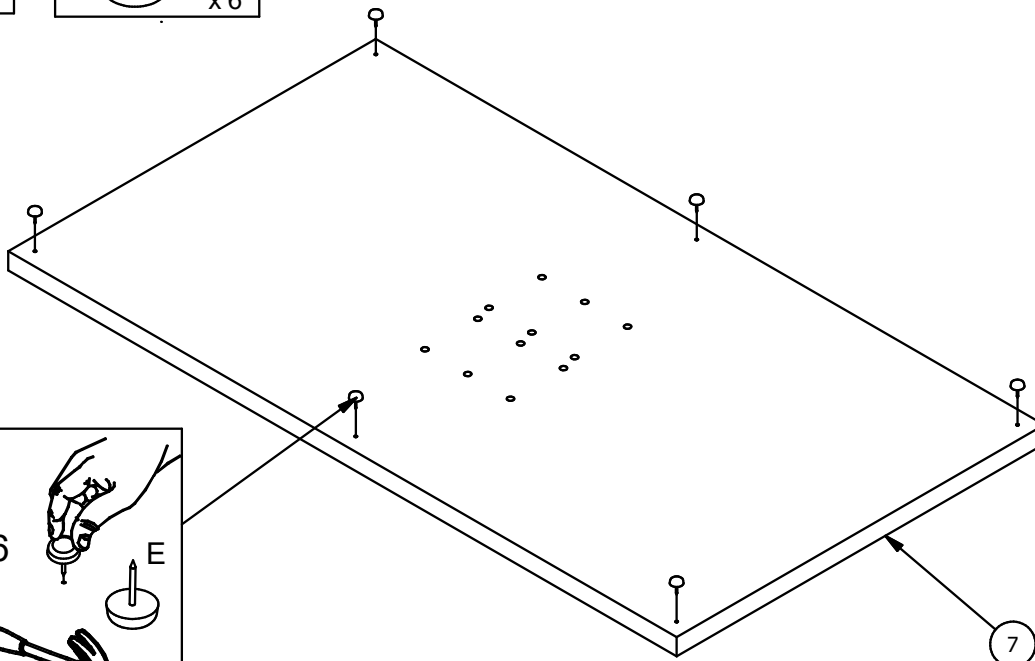
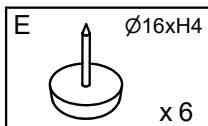
IV.



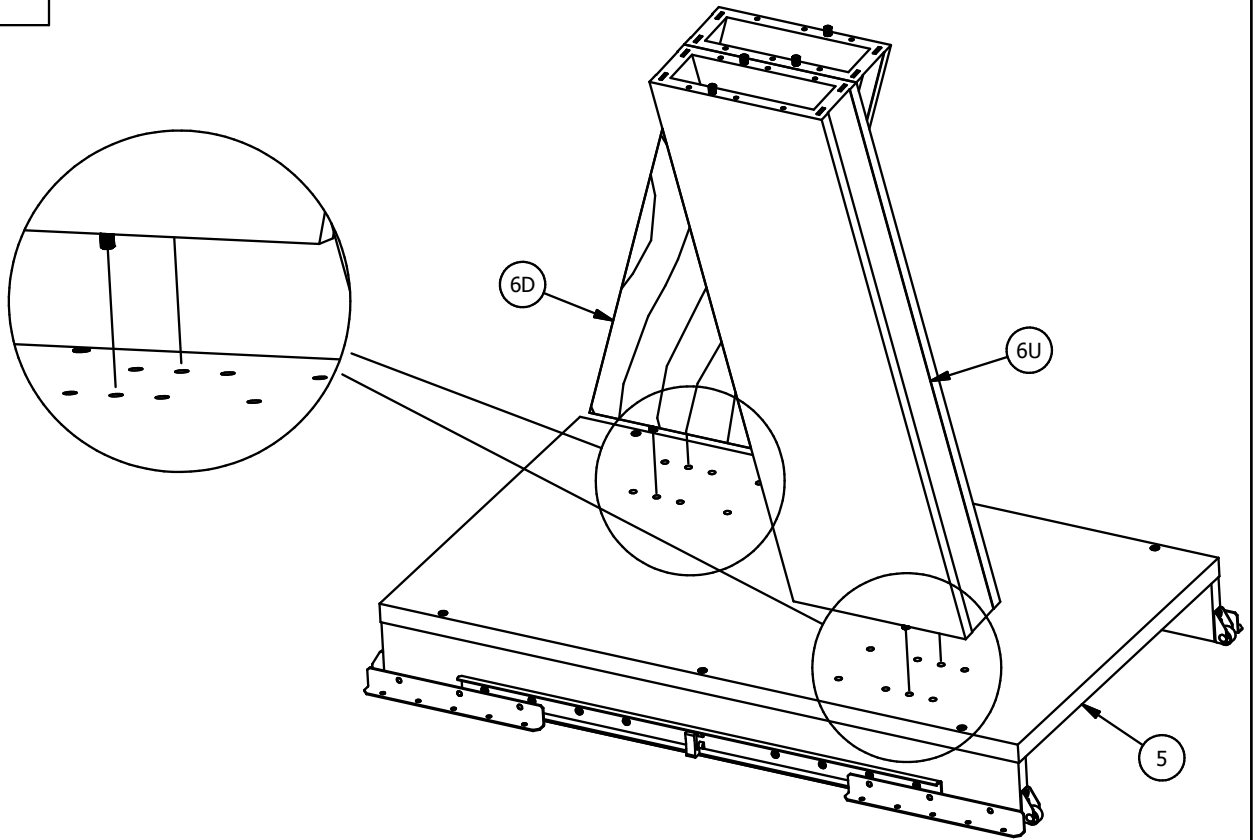
V.



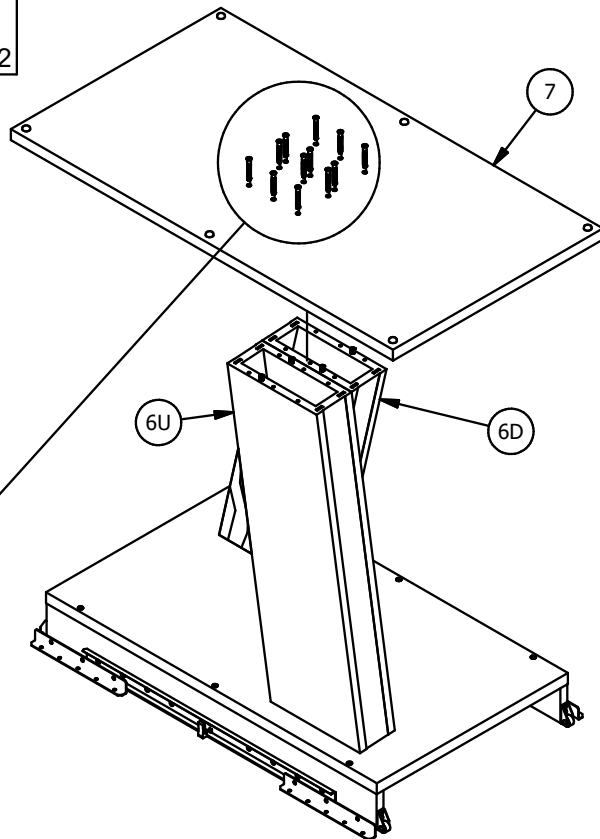
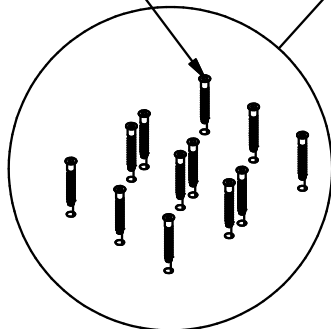
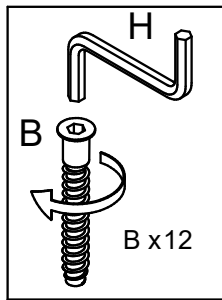
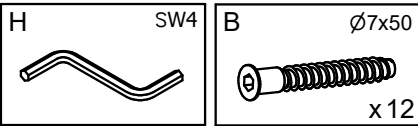
VI.



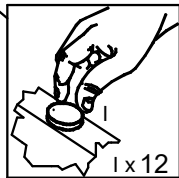
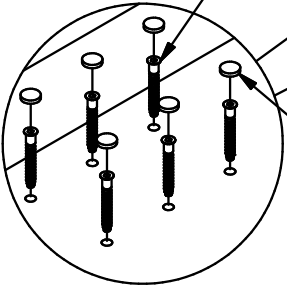
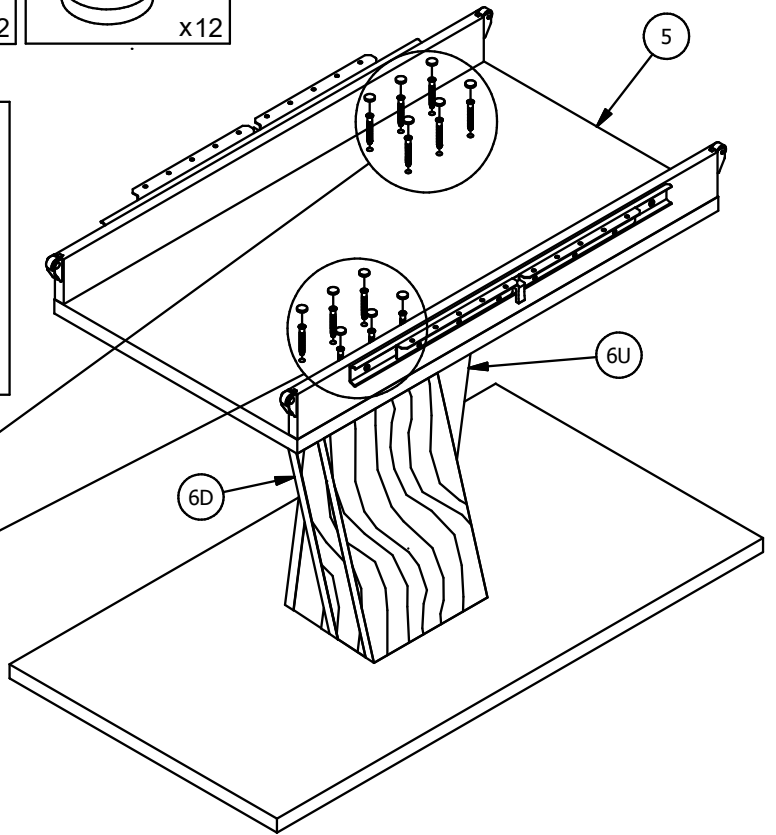
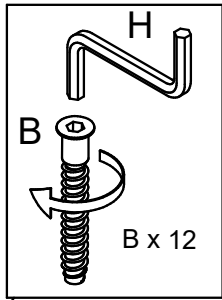
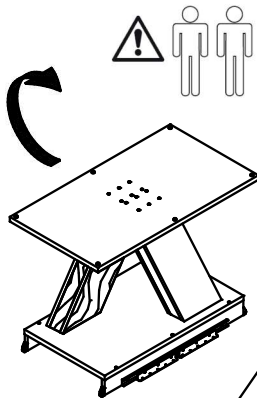
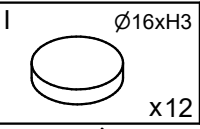
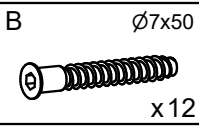
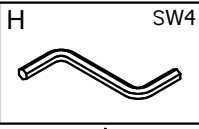
VII.



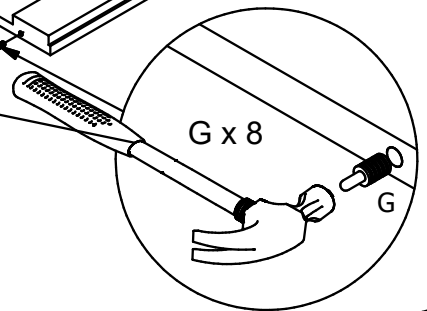
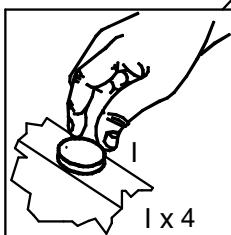
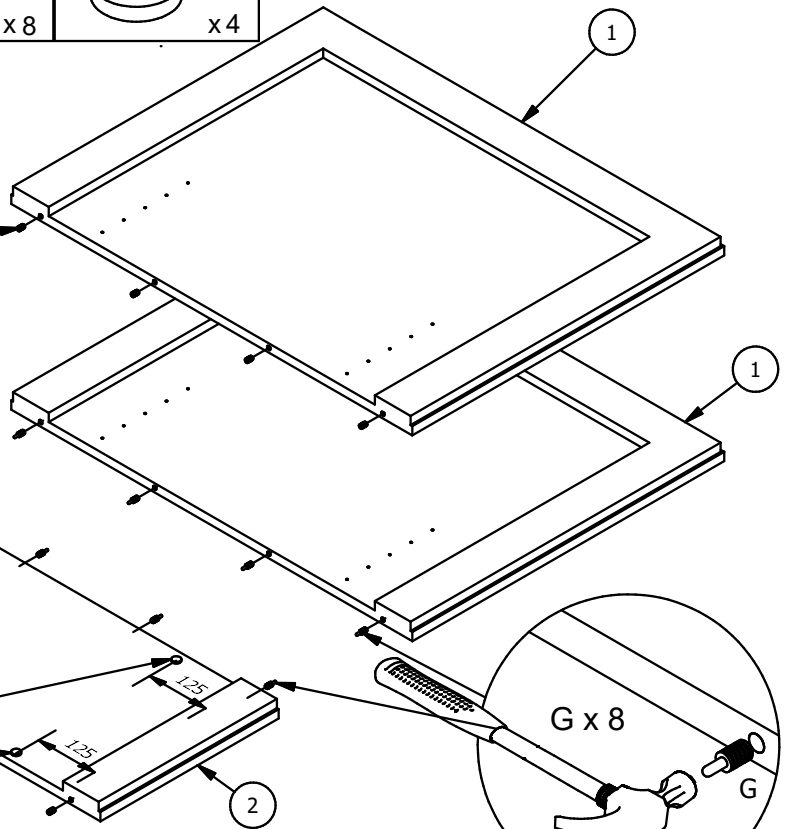
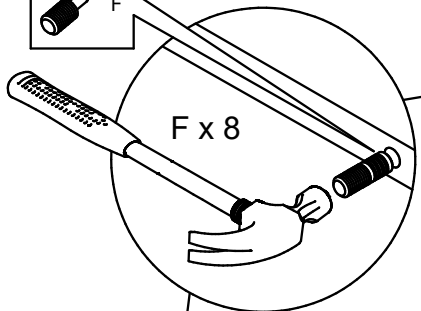
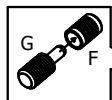
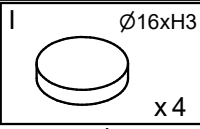
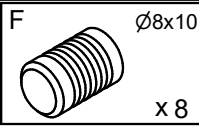
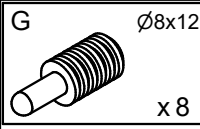
IIIX.



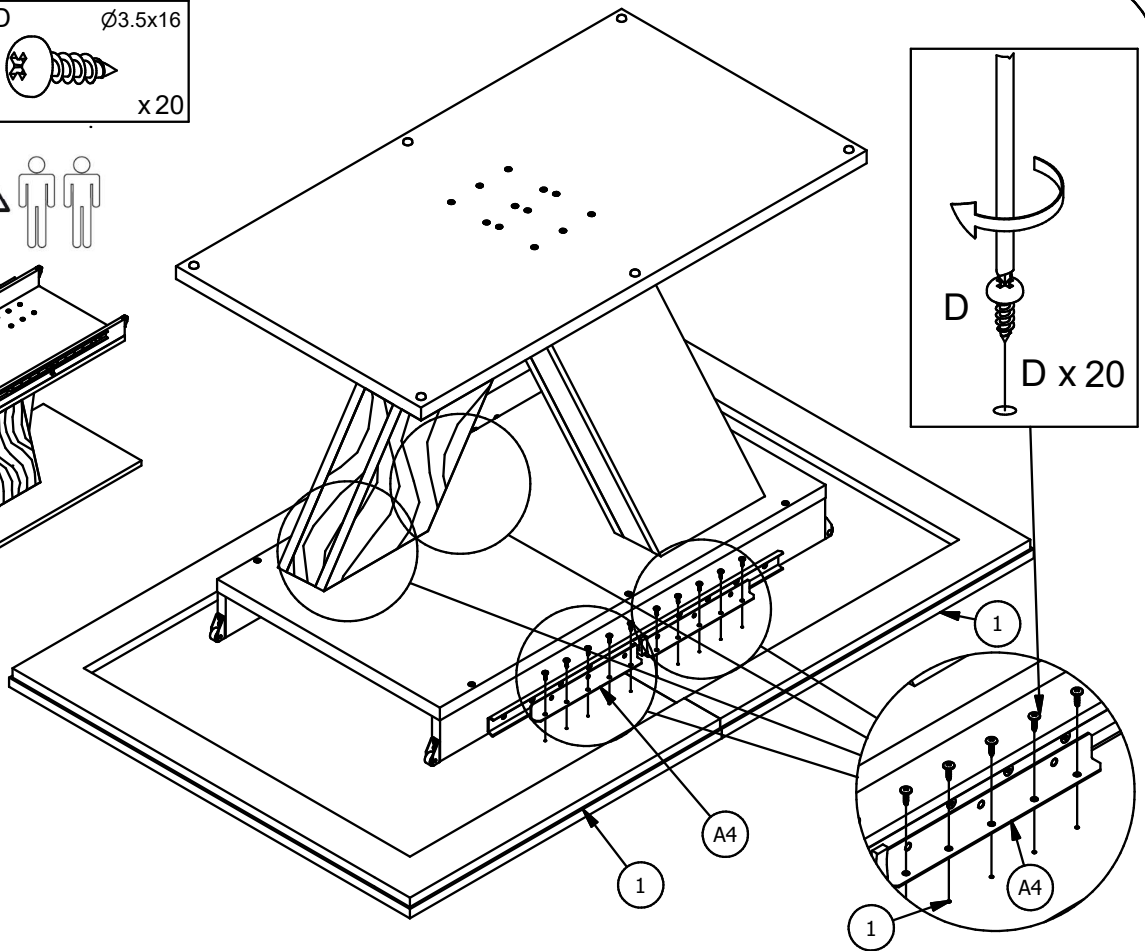
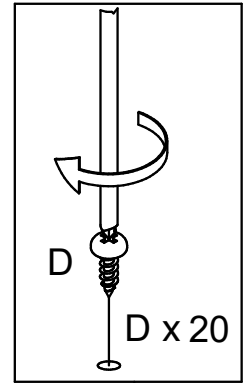
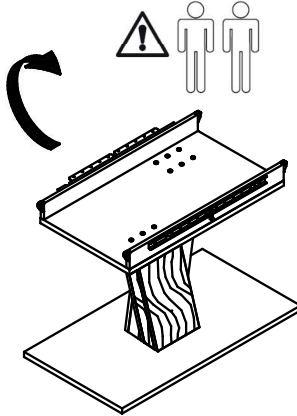
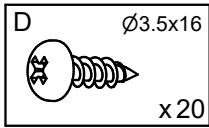
IX.



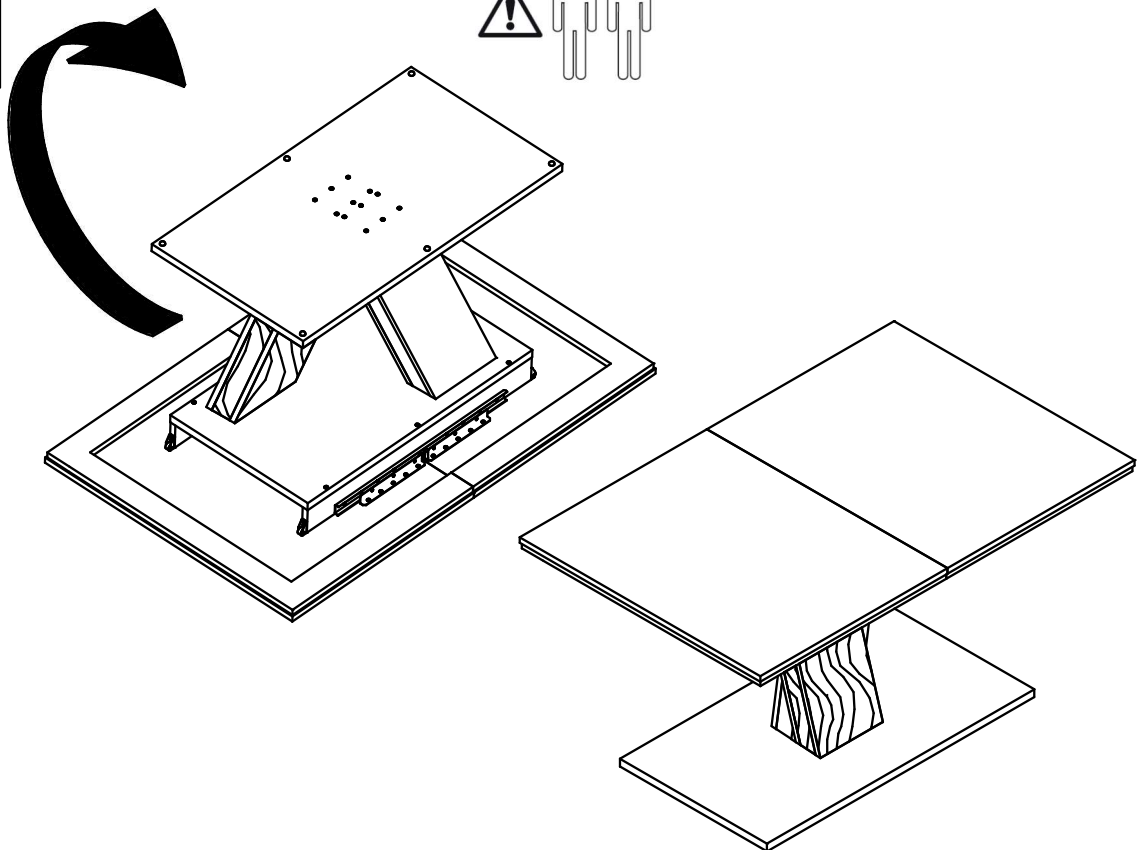
X.



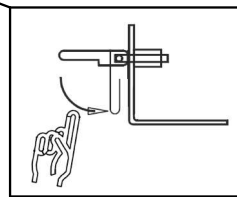
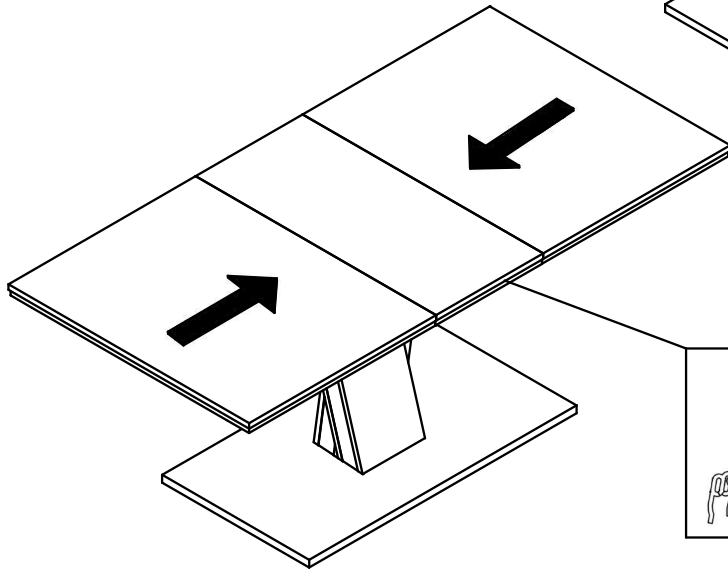
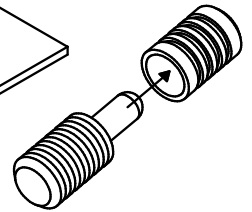
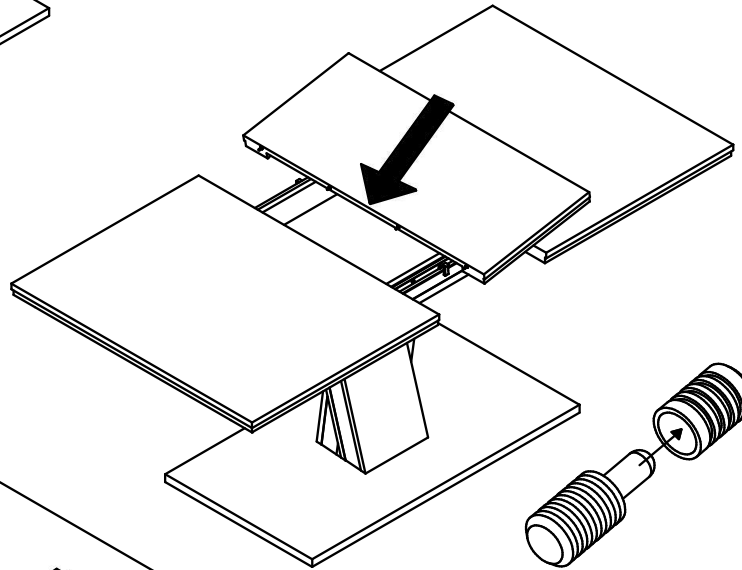
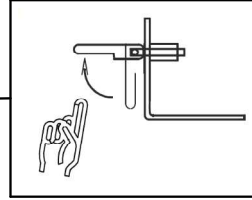
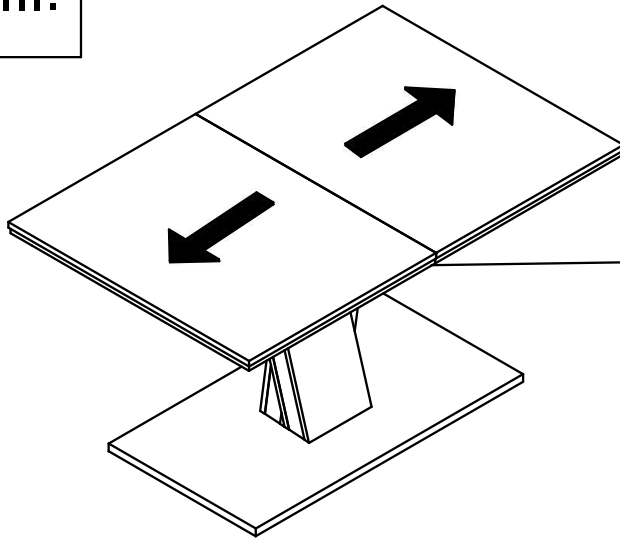
XI.



XII.



XIII.



**LE TRI
+ FACILE**



Séparez les éléments avant de trier

