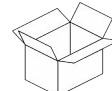
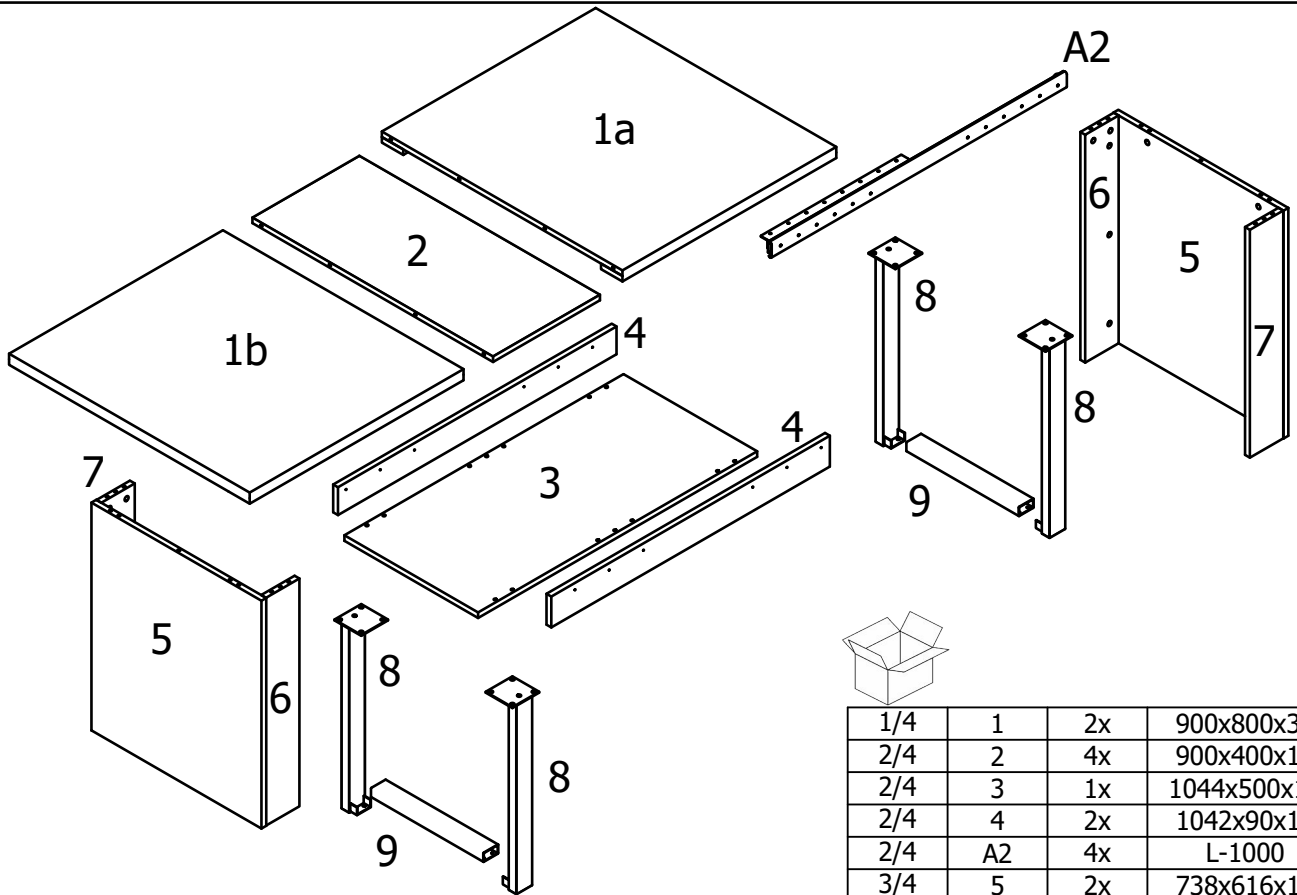
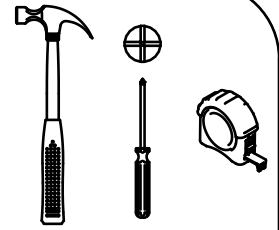
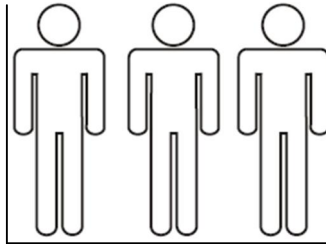
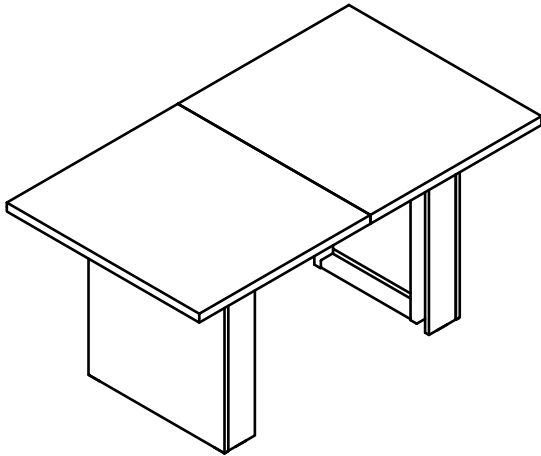
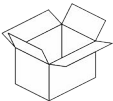



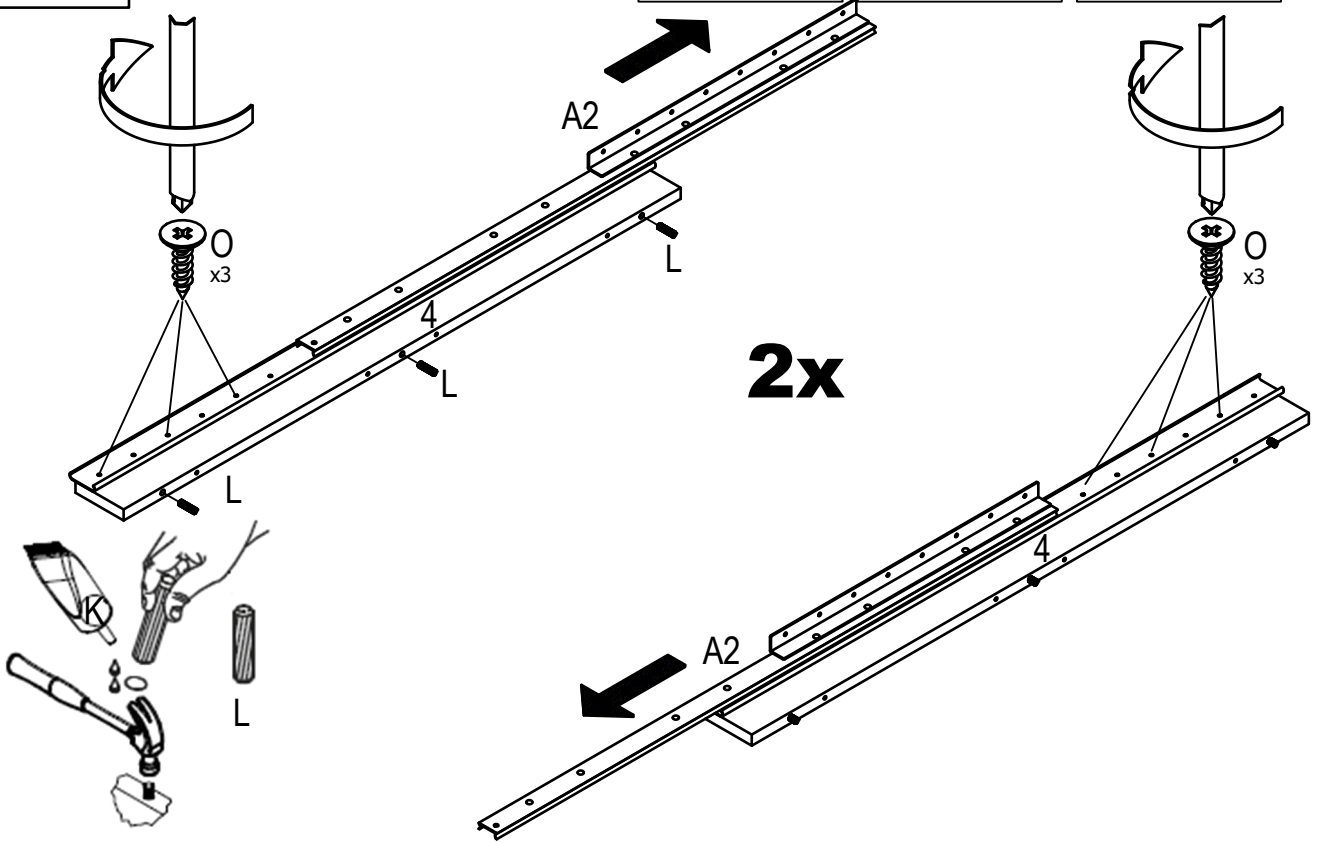
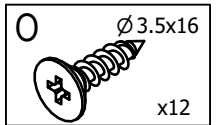
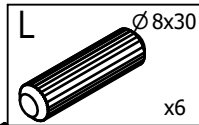
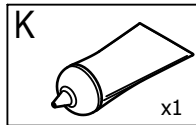
Anni T



1/4	1	2x	900x800x36
2/4	2	4x	900x400x18
2/4	3	1x	1044x500x18
2/4	4	2x	1042x90x18
2/4	A2	4x	L-1000
3/4	5	2x	738x616x18
3/4	6	2x	738x125x18
3/4	7	2x	738x125x18
4/4	8	4x	620x60x30
4/4	9	2x	420x60x30

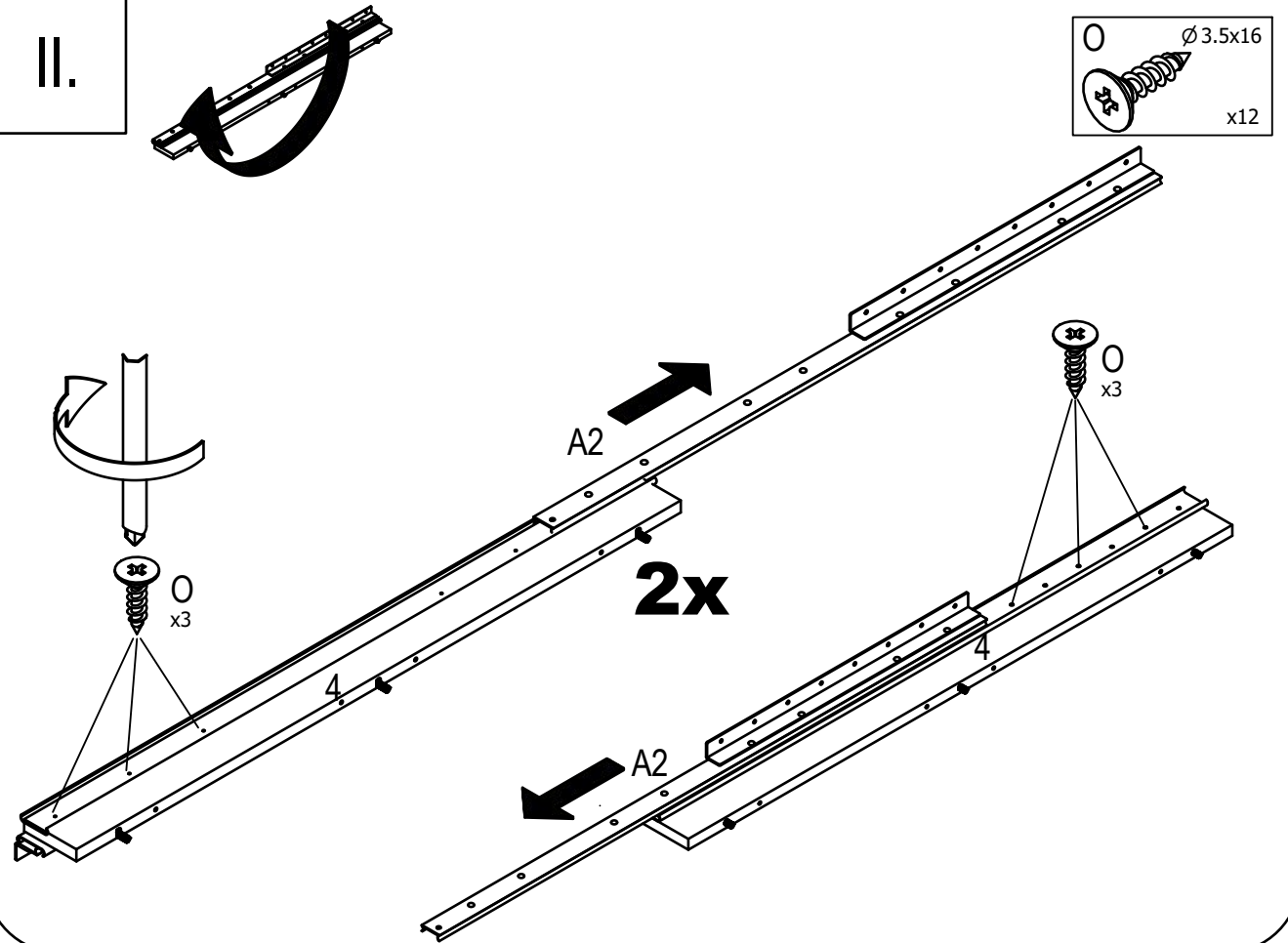
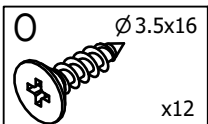
 4/4	A M8x16 x 16	B M6x13 x 8	C $\varnothing 16 \varnothing 8 \times 1.5$ x 16	D $\varnothing 8 \times 12$ x 16	E $\varnothing 25 \times M8$ x 4
F SW4 x 1	G SW5 x 1	H SW8 x 1	 2/4	I $\varnothing 7 \text{ Lx}50$ x 8	J $\varnothing 20$ x 24
K x 3	L $\varnothing 8 \times 30$ x 32	M x 20	N x 20	O $\varnothing 3,5 \times 16$ x 40	P $\varnothing 3,5 \times 16$ x 36
Q x 8	R $\varnothing 15$ x 24	S x 24	T x 2	U x 2	

I.



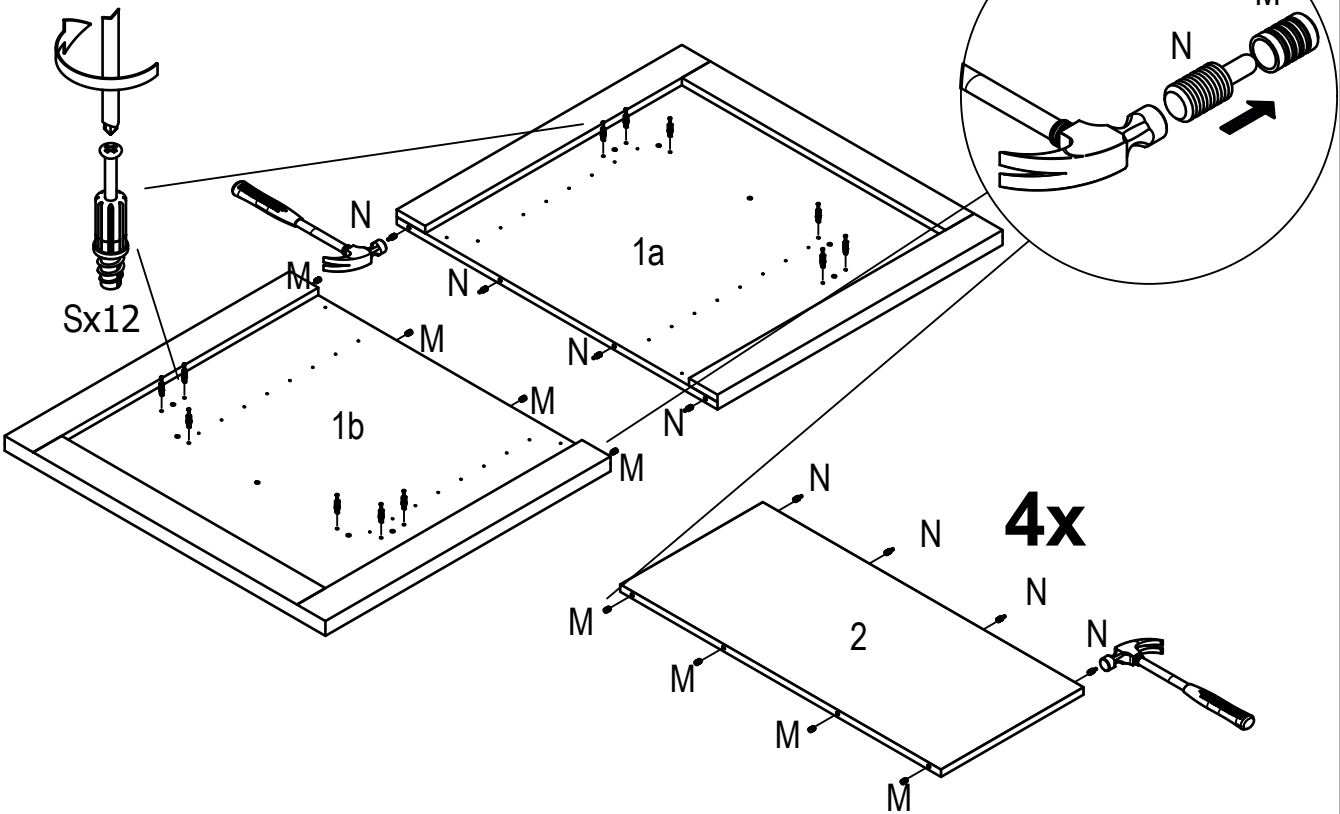
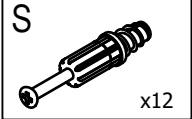
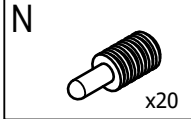
2x

II.

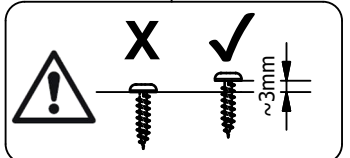
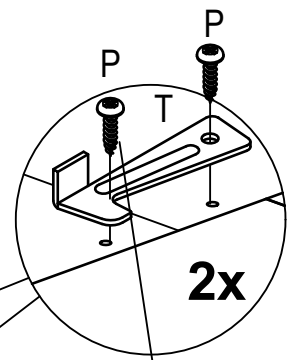
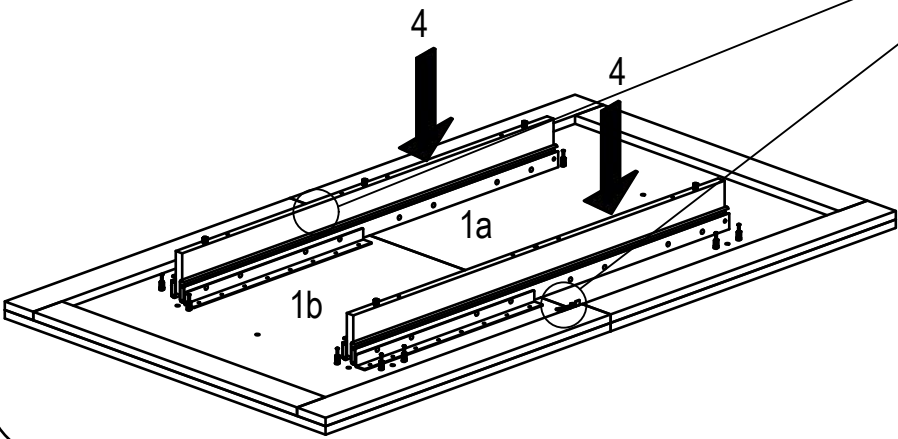
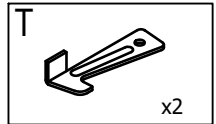
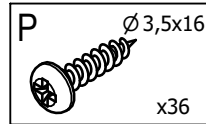
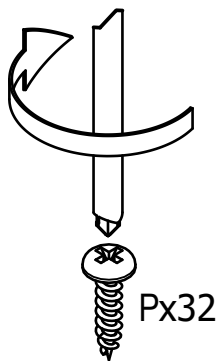
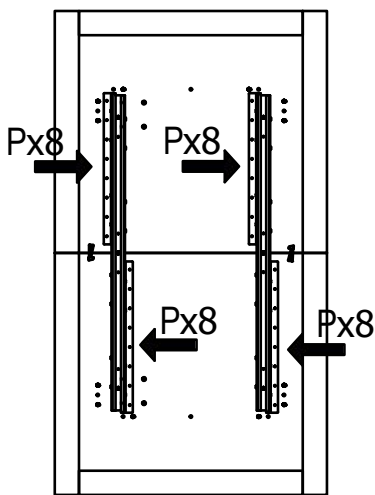


2x

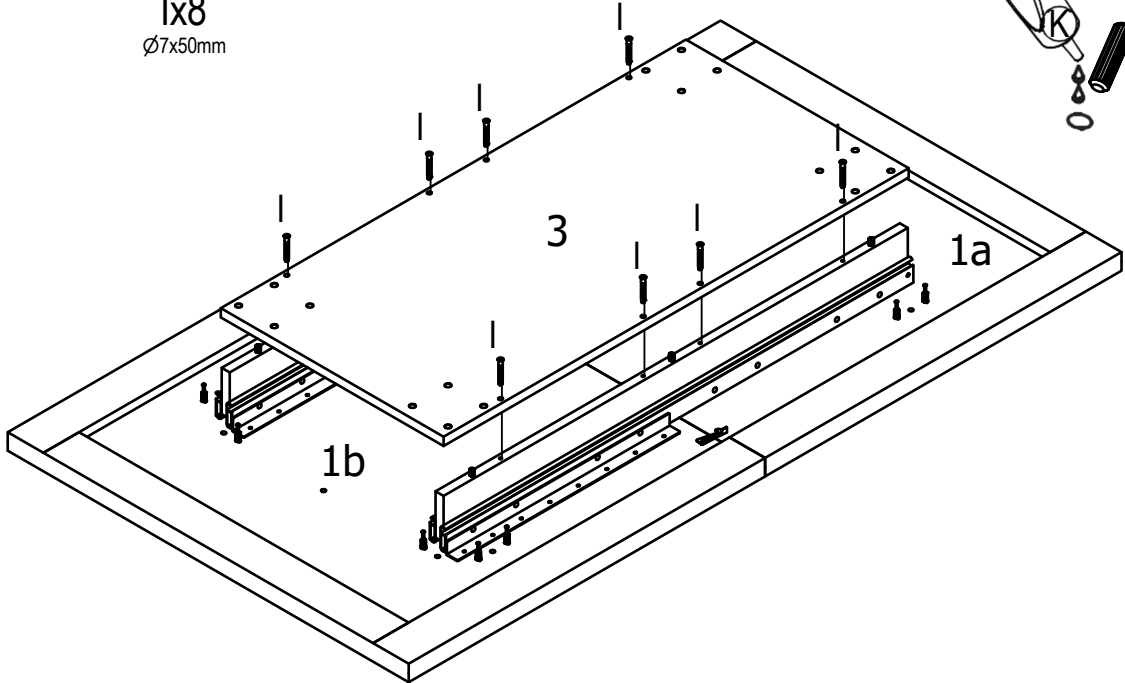
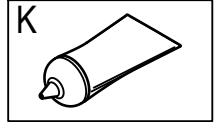
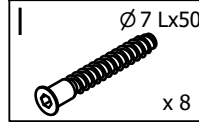
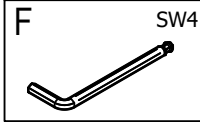
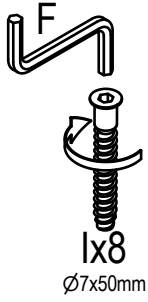
III.



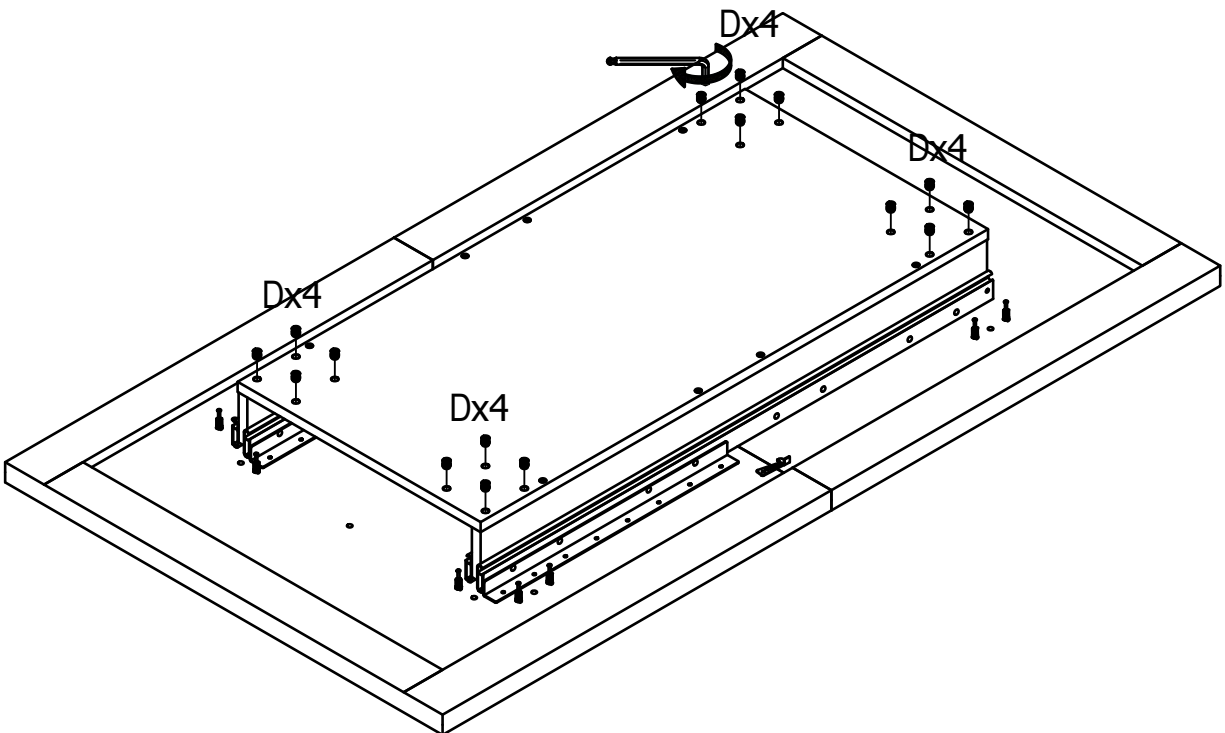
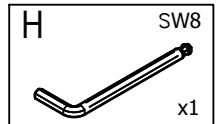
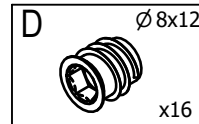
IV.



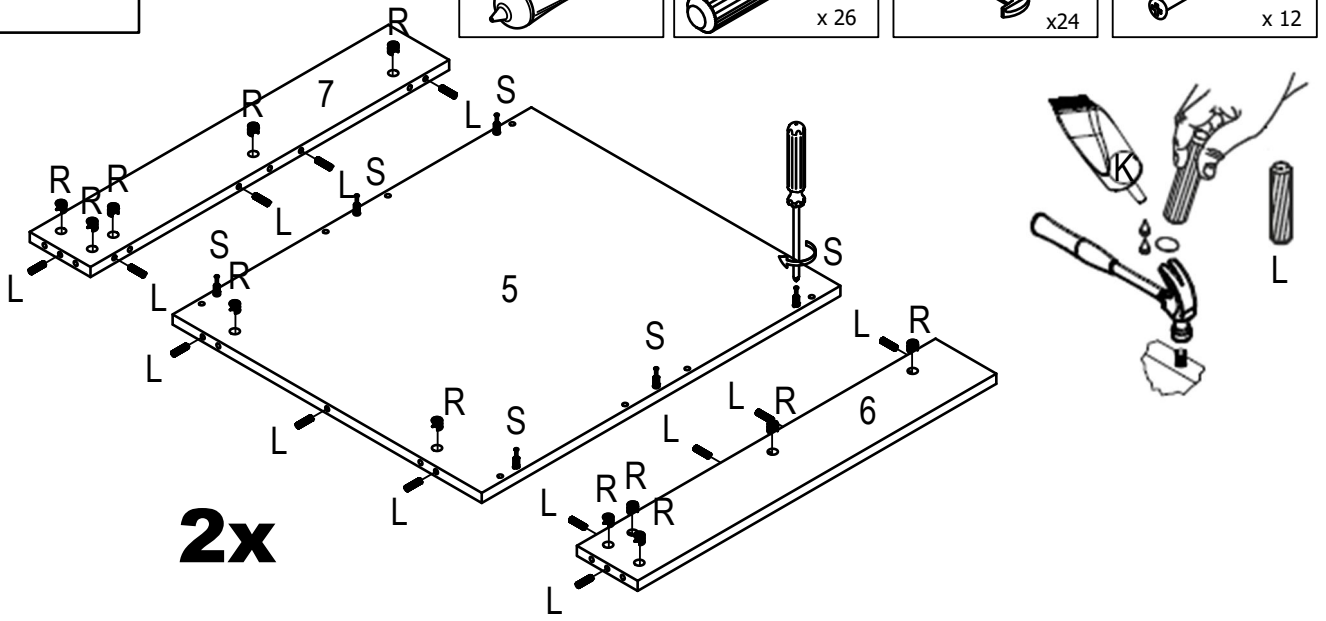
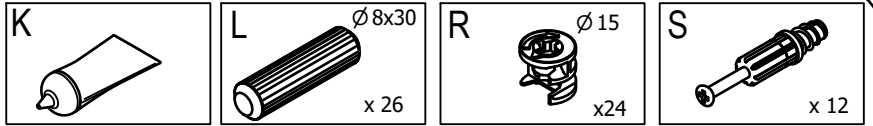
V.



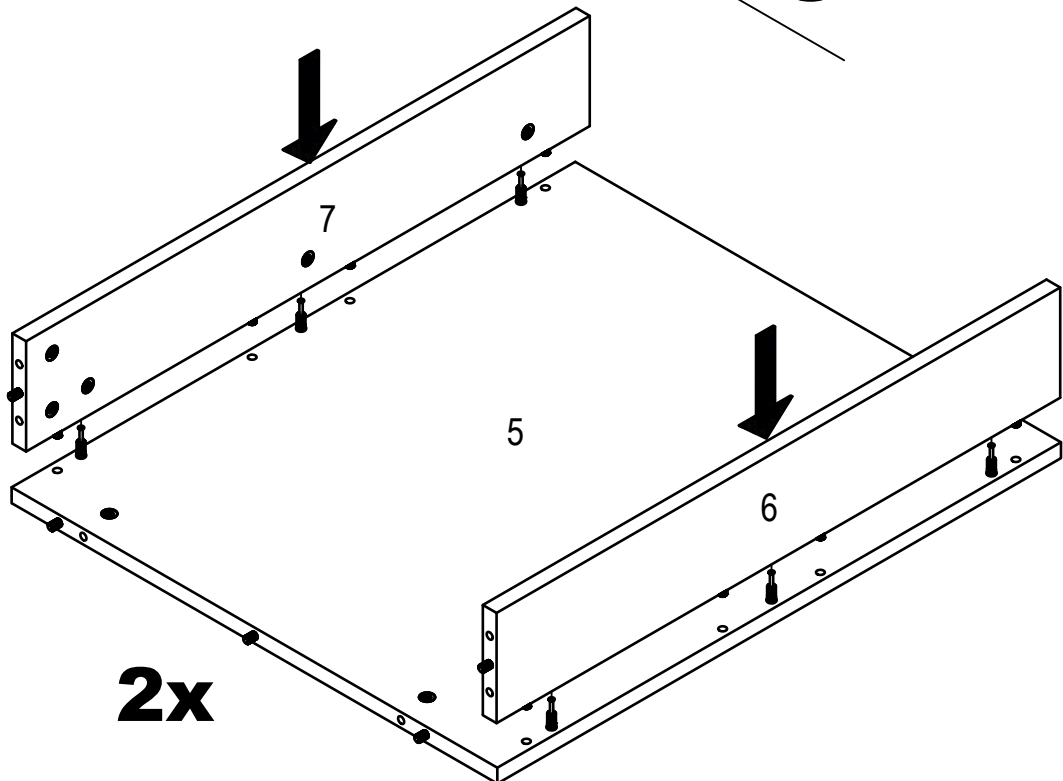
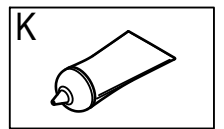
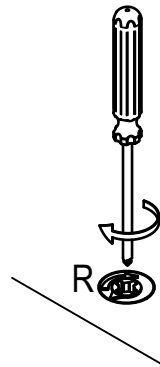
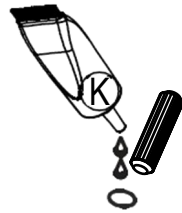
VI.



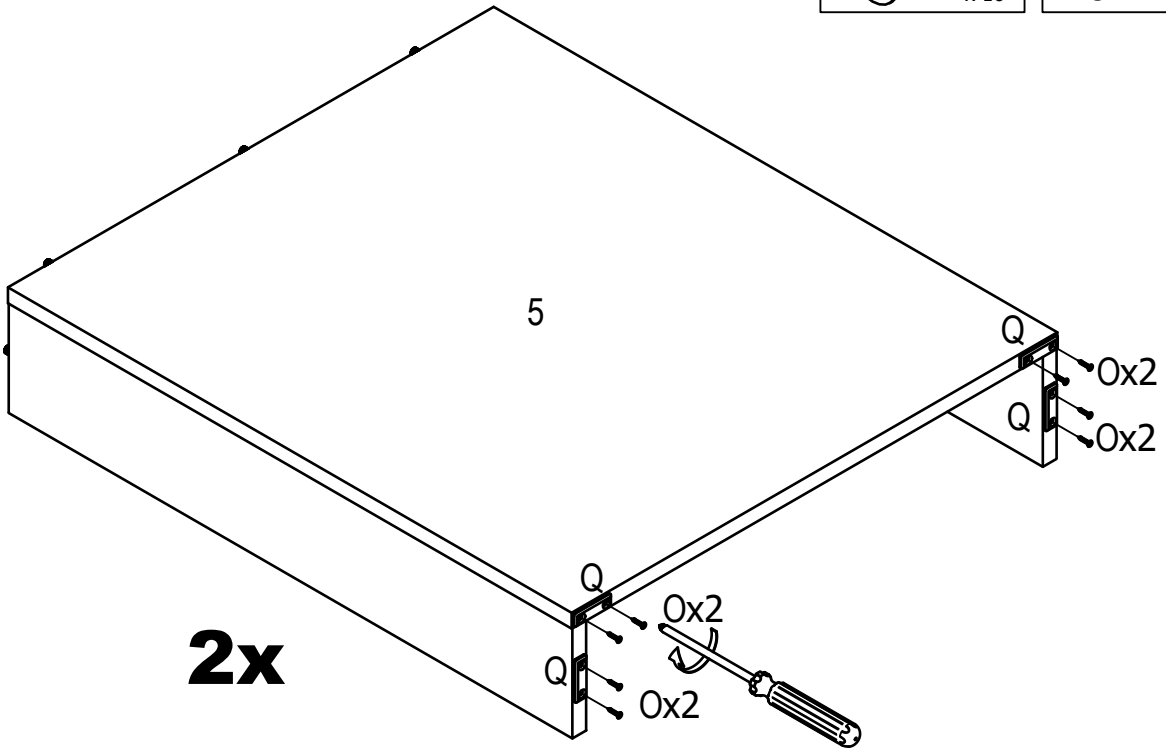
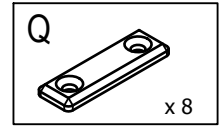
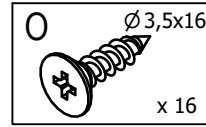
VII.



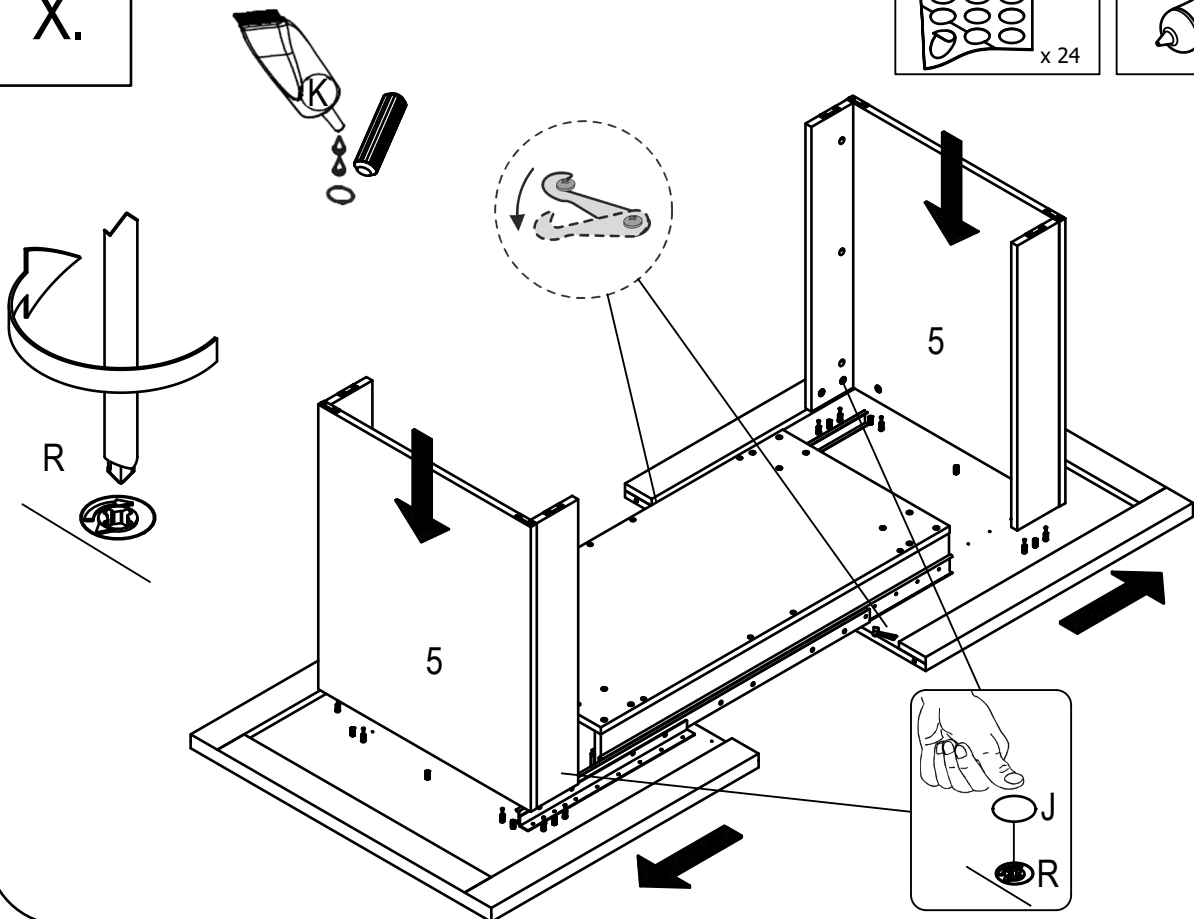
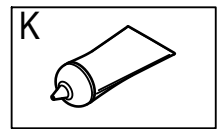
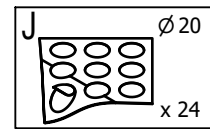
VIII.



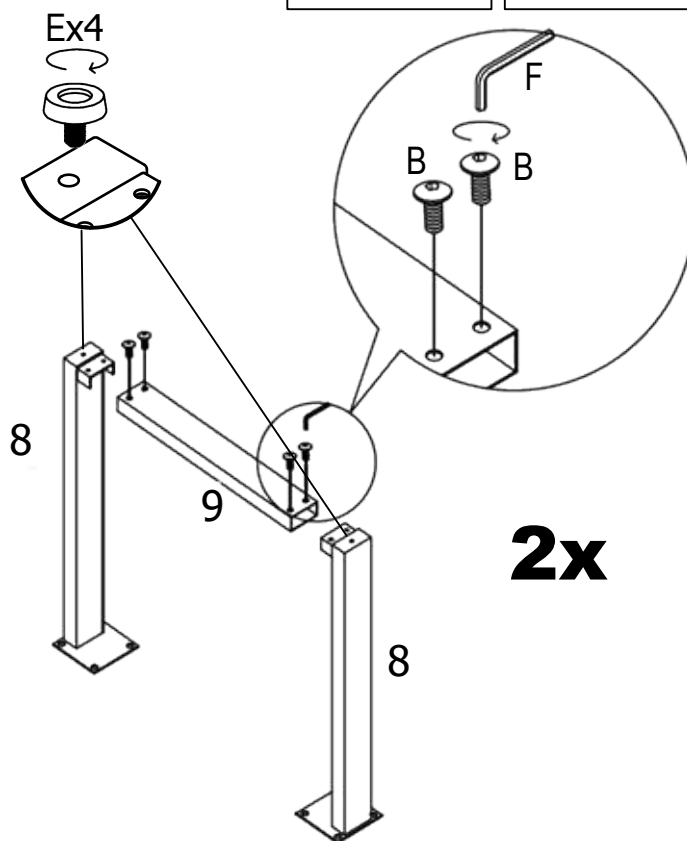
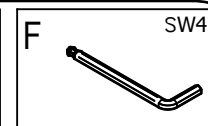
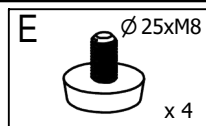
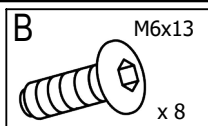
IX.



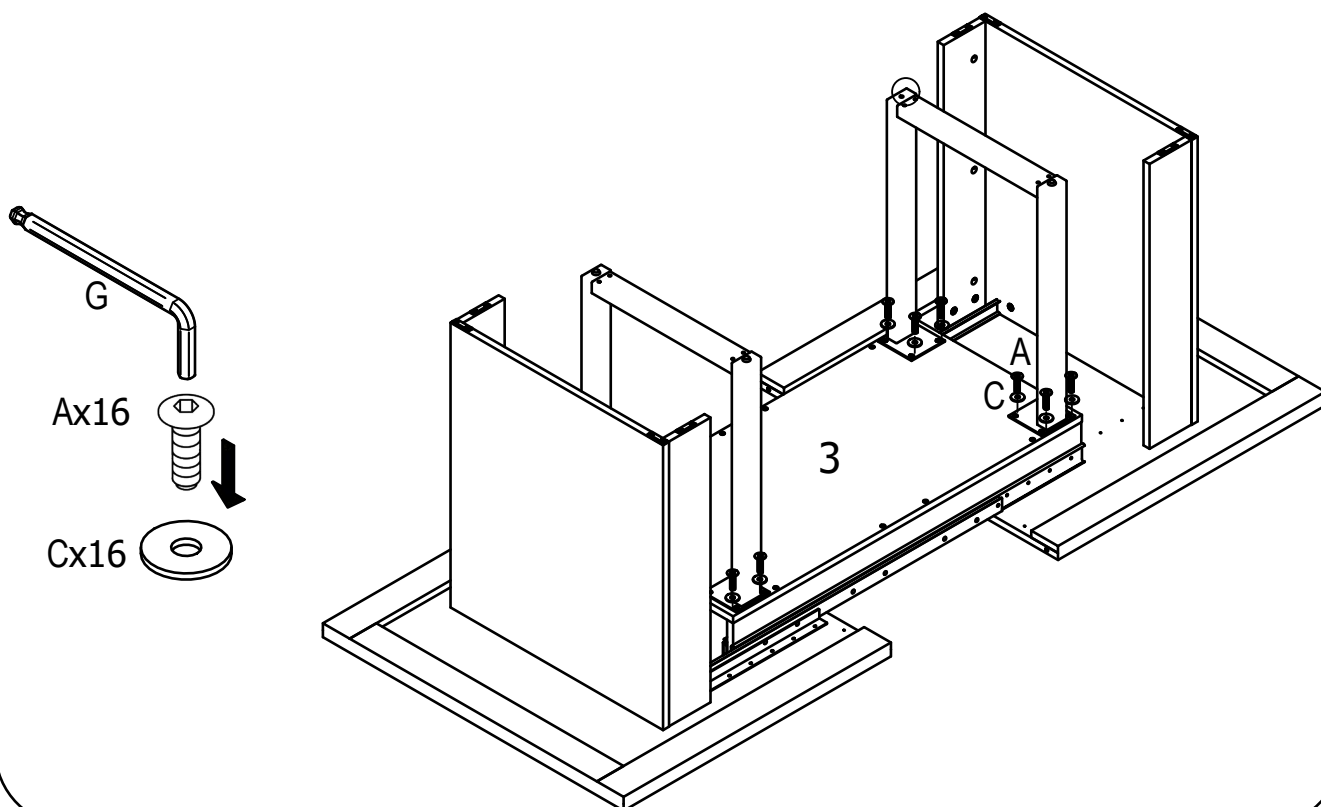
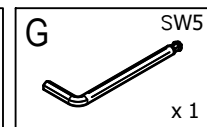
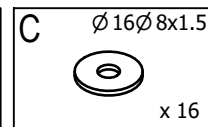
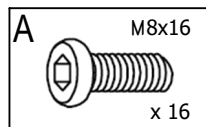
X.



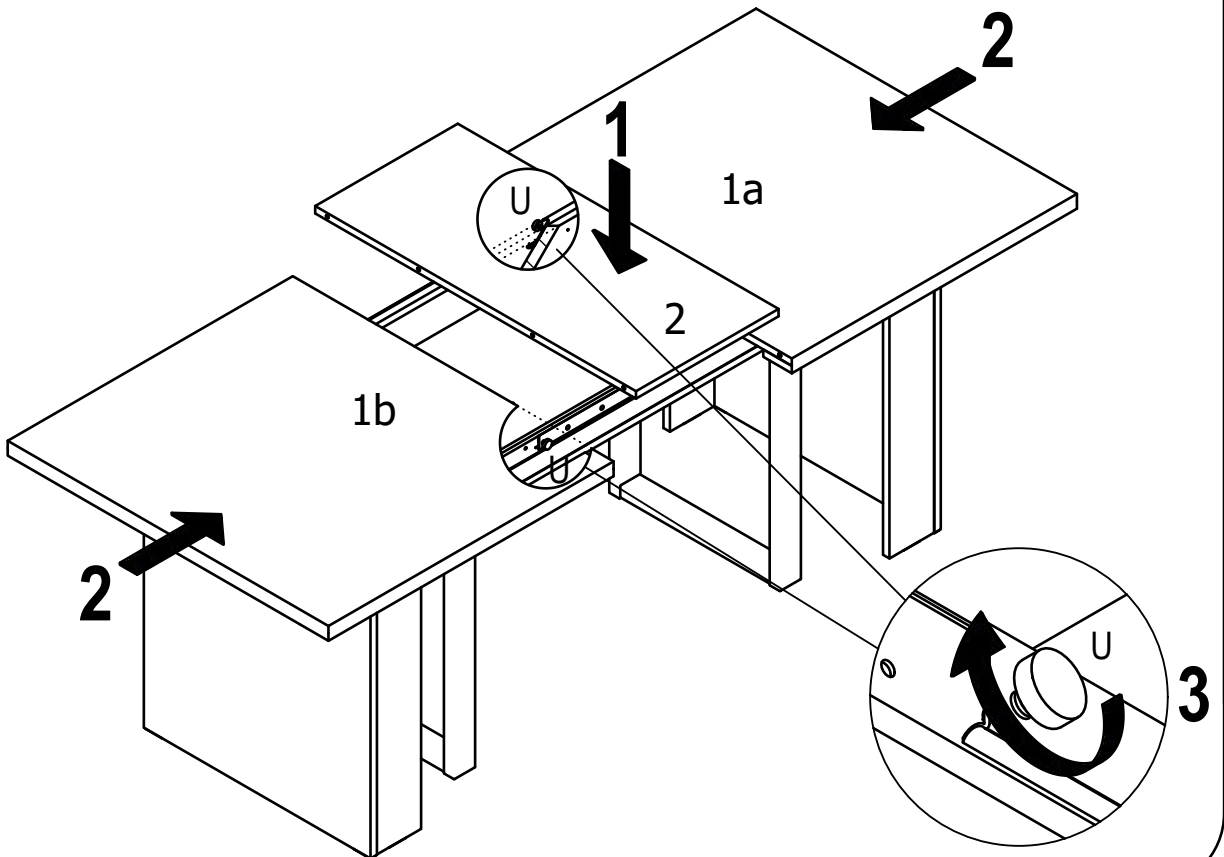
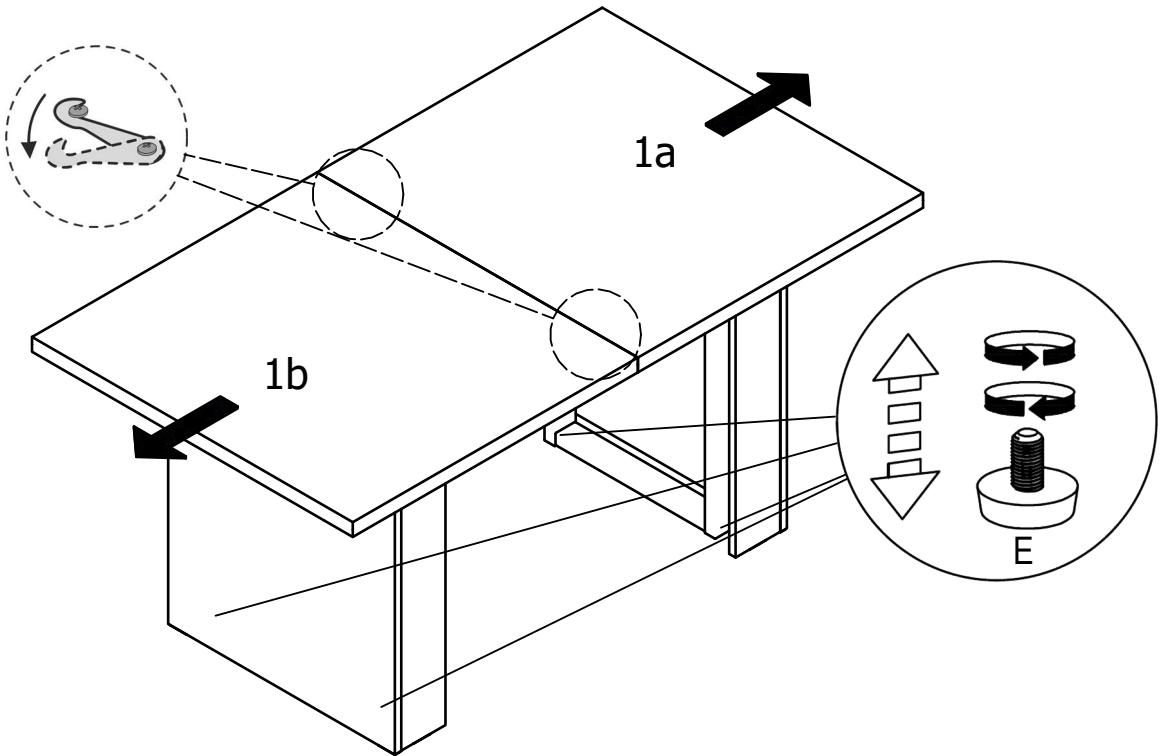
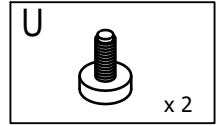
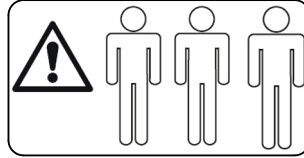
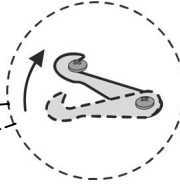
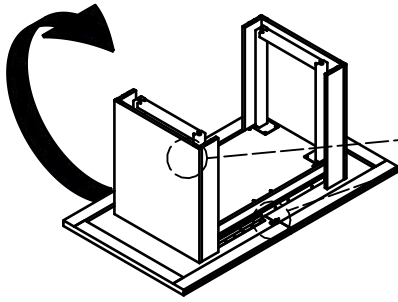
XI.



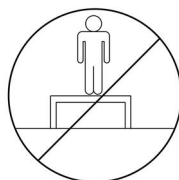
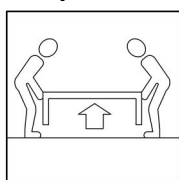
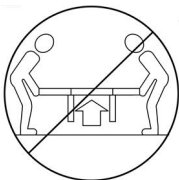
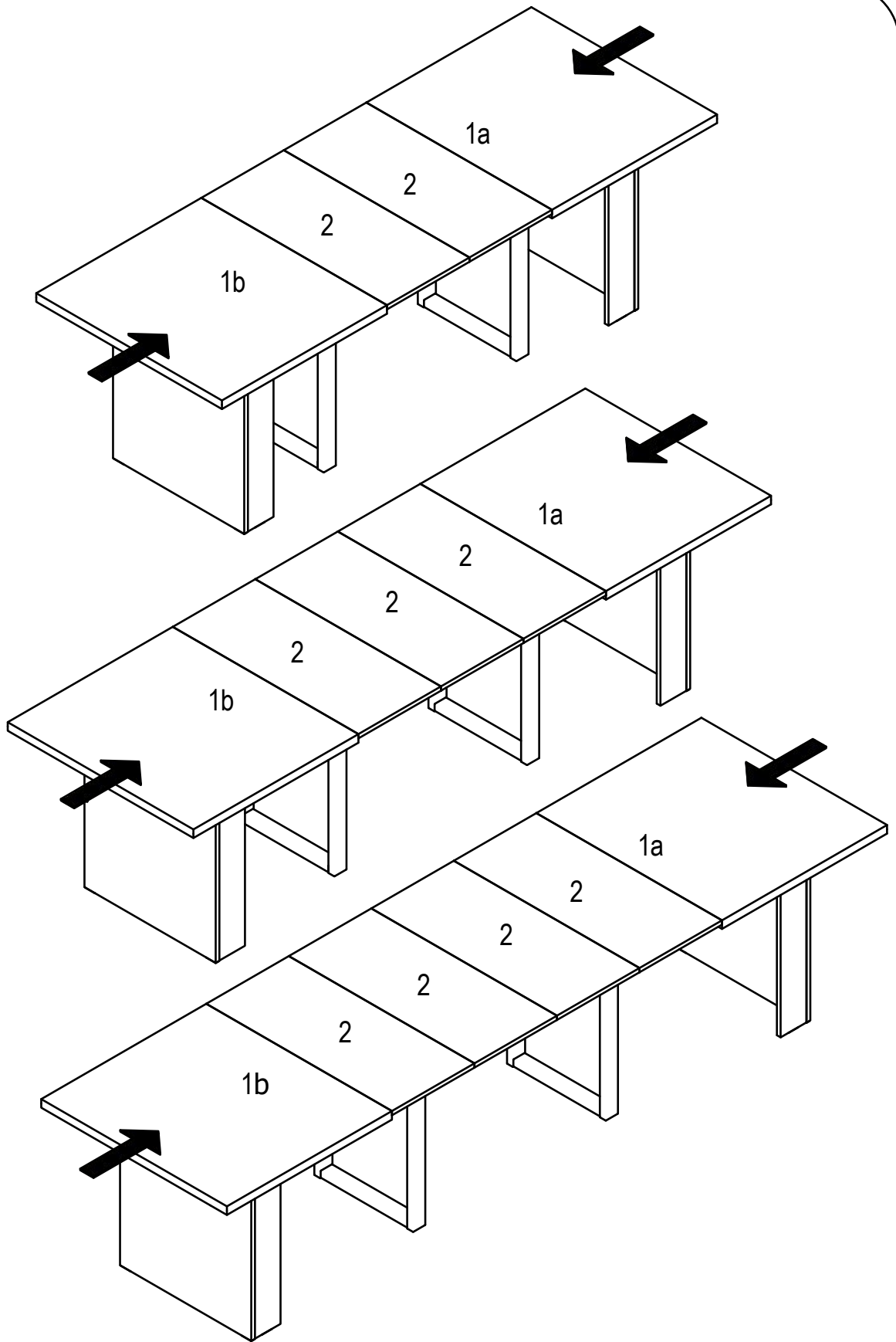
XII.



XIII.



XIV.



**LE TRI
+ FACILE**



Séparez les éléments avant de trier